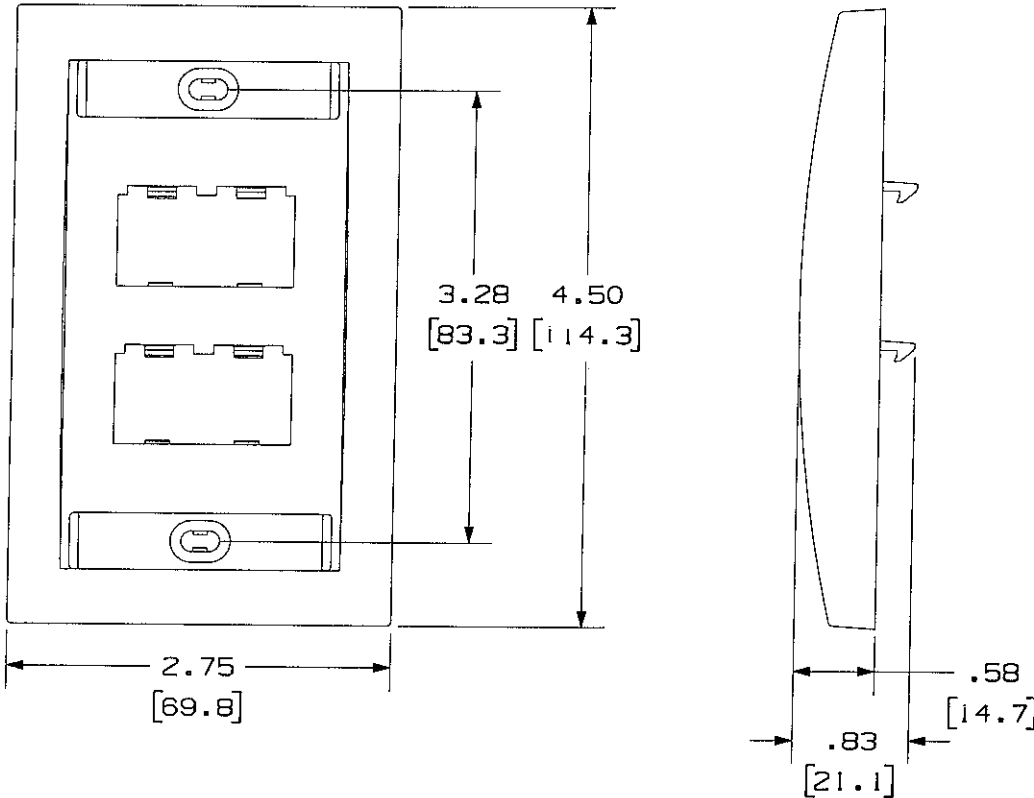


THIS COPY IS PROVIDED ON A RESTRICTED BASIS AND IS NOT TO BE USED IN ANY WAY DETRIMENTAL TO THE INTERESTS OF PANDUIT CORP.

PANDUIT P/N	WEIGHT
CFPE4**Y	.71 LB/10 PCS (322.1 g/10 PCS)



- NOTES:
- SEE CURRENT CATALOG FOR ADDITIONAL PART NUMBER SUFFIXES TO INDICATE COLOR AND OR PACKAGE QUANTITY.
 - SEE CATALOG FOR COMPLETE LIST OF PARTS APPLICABLE FOR USE WITH THIS PART.
 - DIMENSIONS IN [] ARE IN METRIC.
 - PART INCLUDES:
 - 1- FACEPLATE
 - 2- LABEL
 - 2- LABEL COVER
 - 2- MOUNTING SCREW

NETWORK SYSTEMS
MAY 25 2006
ENGINEERING DEPT

DRAWING FILENAME M02479EL_DC118_00A.PRT		SIZE A
MINI-COM 4 POSITION EXECUTIVE SERIES FACEPLATE CUSTOMER DRAWING		
	PANDUIT TM CORP. TINLEY PARK, ILL 60477	I.I. NUMBER N/A
	THIRD ANGLE PROJECTION	PRODUCT SPEC N/A
ALL DIMENSIONS ARE GIVEN IN INCHES, UNLESS OTHERWISE SPECIFIED.		WORK INSTRUCTION N/A
DIMENSIONAL TOLERANCES ARE: (.X) ± (.XXX) ± .010(.31) (.XX) ± .031(.8)		SCALE NONE
DRAWN BY JsP	MATERIAL: ABS	PART NO. CFPE4**Y
DATE 4-26-06	CHK'D MJP	DRAWING NO. 02479-118

R	4-26-06	JsP	MJP	RELEASED TO PRODUCTION	02479-118				
REV	DATE	BY	CHK	DESCRIPTION	ECN	R	CUST	SUP	OTH